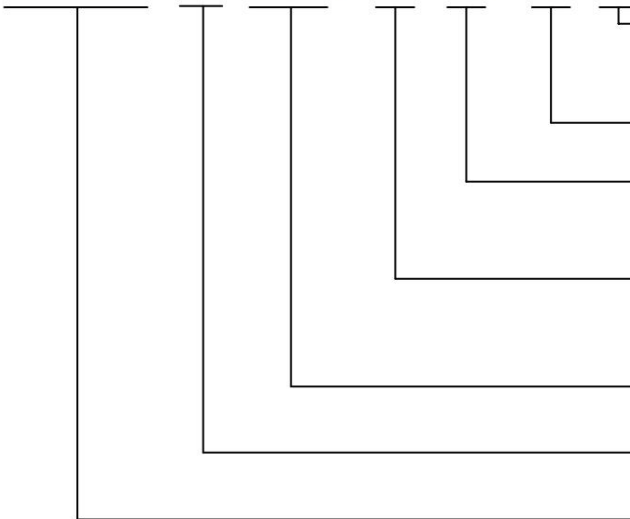




ORDERING CODE 订购代码

HLS-CMA3- H - DC12V - C - NS - P - R



- NIL: STANDARD
- PARALLEL RESISTOR: 6V-180 Ω, 12V-680 Ω, 24V-2700 Ω
- PARALLEL DIODE: D1-86+, D2-85+
- NIL: QUICK CONNECT LEADS
- P: PC BOARD MOUNTING LEADS
- NS: NO SHOULDER
- NIL: WITH METAL SHOULDER
- PS: WITH PLASTIC SHOULDER
- CONTACT FORM
- NIL: 1 FORM C A: 1 FORM A B: 1 FORM B
- U: 1 FORM U 2A: 1 FORM 2A
- NOMINAL VOLTAGE
- DC6V, DC12V, DC24V
- COIL
- NIL... STANDARD (1.6W) H... HIGH POWER (1.9W)
- TYPE

CONTACT DATA 触点参数:

Contact Form	触点形式	1A/1B/1C/1U/2A	
Contact Material	触点材料	Ag Alloy	
Contact Ratings	触点负载	1A:40A/14VDC 1B / 1C:30A/14VDC 1U/2A:2×20A/14VDC	
Max Switching Voltage	最大转换电压	30VDC	
Max Switching Current	最大转换电流	40A	
Max Switching Power	最大转换功率	560W	
Initial Contact Resistance	接触电阻 (首次)	100m Ω Max	at6VDC 1A
Life Expectancy Electrical	电气寿命	100,000	Operations (rated load)
Life Expectancy Mechanical	机械寿命	10,000,000	Operations (no load)

GENERAL DATA 一般参数:

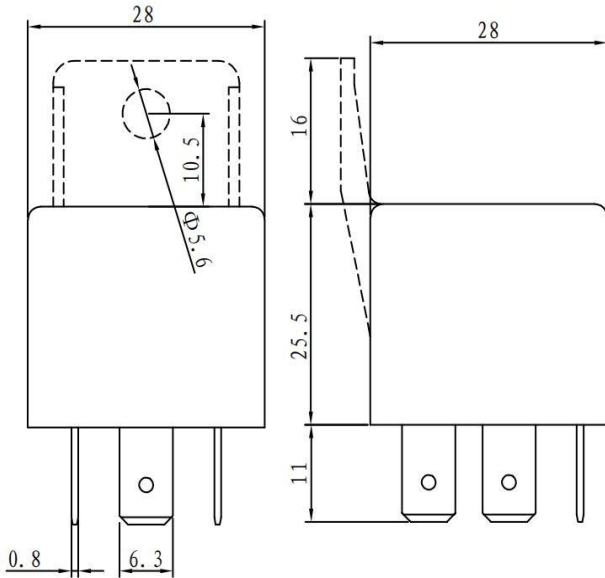
Insulation Resistance	绝缘阻值	100M Ω min at500VDC
Dielectric Strength Between Open Contacts	触点间耐压	500VAC 50-60HZ (1 minute)
Dielectric Strength Between Contacts And Coil	触点与线圈间耐压	750VAC 50-60HZ (1 minute)
Operate Time	吸合时间	10ms max
Release Time	释放时间	10ms max
Ambient Temperature	环境温度	-40°C to +85°C
Shock Resistance	冲击	10G
Vibration Resistance	振动	10-55Hz, 1.5mm double amplitude
Ambient humidity	湿度	40-85% RH
Weight	重量	Approx 40g
Safety Standard	安全标准	

COIL DATA 线圈参数: (@20°C)

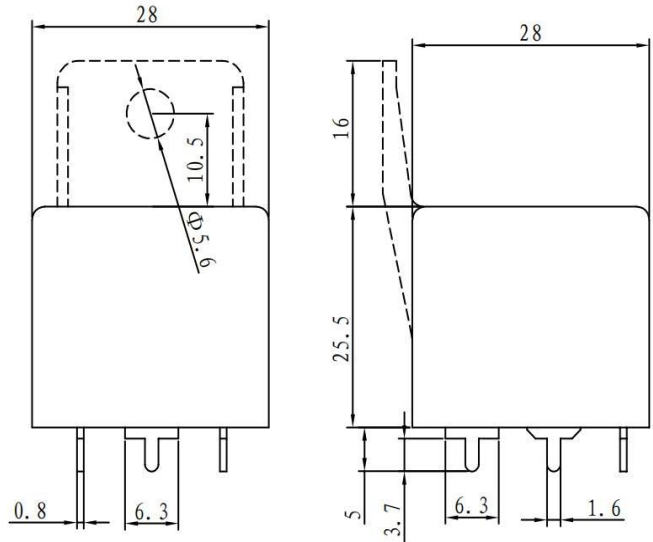
Rated Voltage 额定电压 (VDC)	Coil Resistance Ω ($\pm 10\%$) 线圈阻值		Max Operate Voltage 最大吸合电压 (VDC)	Min Release Voltage 最小释放电压 (VDC)	Max Applied Voltage 最大允许电压 (VDC)
	1.6W	1.8W			
6	22.5	20	3.9	0.6	7.8
12	90	80	7.8	1.2	15.6
24	360	320	15.6	2.4	31.2

Outline Dimension 外形尺寸(mm)

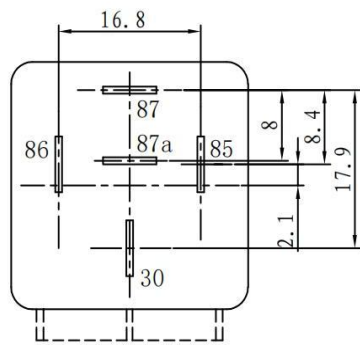
Quick Connect Leads 插拔式



PC Board Mounting Leads 印刷线路板式

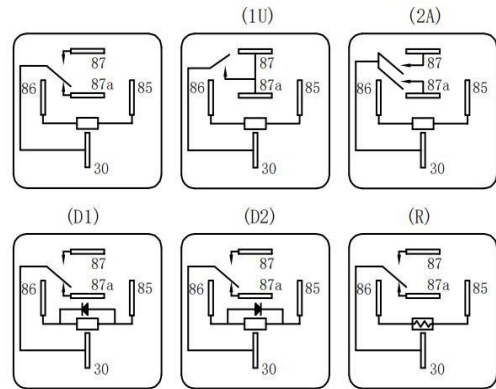


PC Board layout 安装图



(Bottom View 底视)

Wiring Diagram 接线图



(Bottom View 底视)

声明：本产品规格书仅供客户使用时参考，若有更改，恕不另行通知。

对合力顺而言，不可能评定继电器在每个具体应用领域的所有性能参数要求，因而客户应该根据具体的使用条件选择与之相匹配的产品，若有疑问，请与合力顺联系获取更多技术支持。但产品选型责任仅由客户负责。

©宁波合力顺电子有限公司版权所有，本公司保留所有最终解释权。